



**Revolutionary NEW  
interactive platform!**

## TRY A REFRESHING IDC PRO INTERACTIVE POST-MIX ICE DRINK DISPENSER



Fun and easy new scrolling interface for brand selection

Contemporary design

Large Digital Merchandising & Promotional Space

20 brands **(10 per side)**  
8 Flavors **(4 per side)**

Easy-to-Clean Splash Panel

Standard BIB syrup

Dual Pivot Door

Dual Dispense Nozzle

Integrated Ice Maker Kit

On-Board Diagnostic Service

Dual-Touch Screen and  
User Interface

IDC Platform Cold Carb

Multi-Flavor Valves

15% More Drip Tray Volume

Lighting for targeting  
drink into cup

ADA Compliant

## FEATURES

### NEW! Tap and scroll interface to make your selections

**Choices** - Interactive Dispense - Up to 20 brands (10 on each side 7 chilled and 3 ambient) and up to 8 flavor shots (4 per side), over 3,260 drink combinations

**Merchandising** - Commercial-grade HD promotional display 32" diagonal customizable video merchandiser delivers unique marketing message

**Dispense Points** - Dual touch screen/dual nozzle for simultaneous brand and flavor dispense

**Dual Pivot Door** (Zero clearance)- Ease of service and maintenance when units are side-by-side

**Large ice capacity**- 255 lb. ice capacity

**Universal Adapter Kit** - No adapter kit required for standard ice makers 22"W x 24"D or 30"W x 24"D

**Durable** - One-piece ABS thermoformed plastic (Durabide™ design) provides durability and ensures all ice in hopper is dispensable

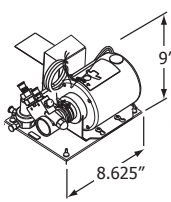
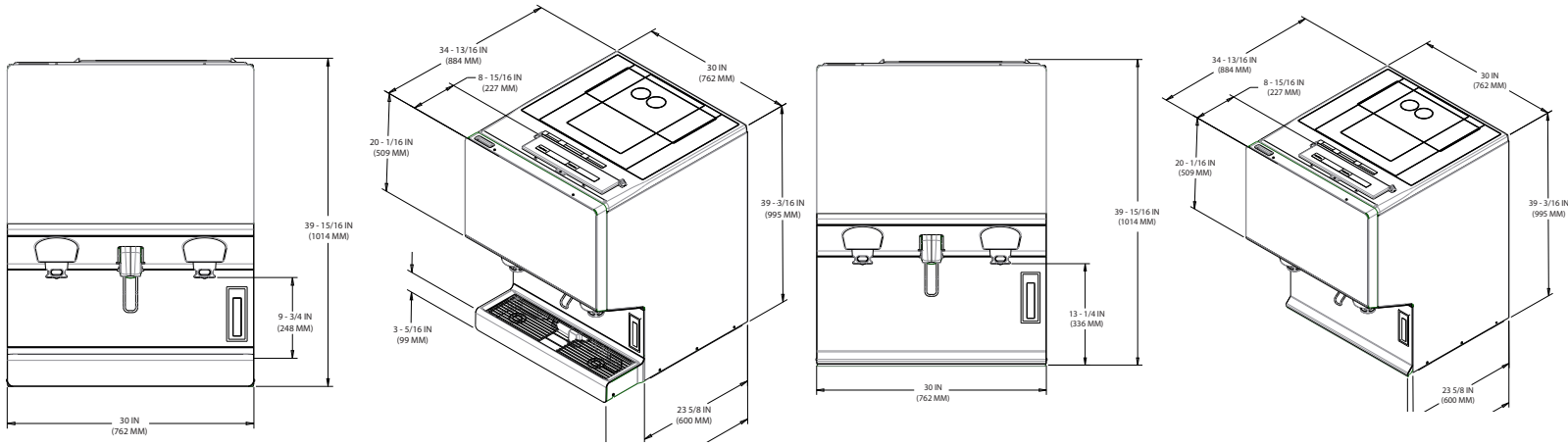
**Flexible** - Can dispense cubed or chewable soft ice

**Ease of Use** - Modular design allows for easy component access from the front of the unit

**Easy to Clean** - Polycarbonate material, merchandising, and lower panel. Scratch resistant.

**ADA Compliant** - Meets ADA requirements on a 34" counter

**Flavor Shot** - Blends with drink or top off for extra flavor



**NOTE: PUMP & MOTOR ASSEMBLY  
MUST BE POSITIONED WITHIN  
8 FEET OF THE DISPENSER**

PART NUMBER	DESCRIPTION
621058578	IDC Pro <b>with drip tray</b> 20 brands (10 per side) 8 flavor shots (4 per side)
621058579	IDC Pro Z-Style <b>(without drip tray)</b> 20 brands (10 per side) 8 flavor shots (4 per side)

Units come standard with universal adapter kit. No adapter required for standard ice makers 22"W x 24" D or 30"W x 24"D. For ice makers of a different size, contact Customer Care.

## TECHNICAL SPECIFICATIONS

**DIMENSIONS** . . . . . 39 3/16"H x 30"W x 34 1/2"D

**SCREEN DIMENSIONS** . . . . . 32" Diagonally

**VIDEO FORMAT** . . . . . MP4 (H.264) (1920x800)

**VIDEO MAX SIZE** . . . . . 2GB

**BRAND IMAGE FORMAT** . . . . . .png (175x175 pixels)

**FLAVOR SHOT IMAGE FORMAT** . . .png (225x225 pixels)

**COUNTER WEIGHT** . . . . . 440 lb (plus ice weight)

**SHIPPING WEIGHT** . . . . . 545 lb

**CAPACITY** . . . . . 255 lb ice bin capacity for cubed & chunklet (compressed) ice

**AMP DRAW** . . . . . 120 V / 60 Hz / 8.5 Amps

**ELECTRICAL RATING** . . . . . 115 V +/- 10% (only requires single outlet)

**WATER SUPPLY PRESSURE** . . . . 50-60 psi at pump

**CO<sub>2</sub>** . . . . . 75 psi at carbonator tank

**STANDARD FEATURES** . . . . . Timed agitation, electronic beverage keyswitch and 4" legs

**20 BRAND SYRUPS:**  
(14 CHILLED / 6 AMBIENT) . . . . . 60 psi/min

**8 FLAVOR SHOT SYRUPS:**  
(AMBIENT) . . . . . 20-25 psi/max

**VALVE** . . . . . 20 touch screen brands(10/nozzle)  
8 touch screen flavor shots (4 per nozzle)  
Electronic TotalFlex

**FLOW RATE FOR BRANDS** . . . . . 3oz./sec valves

**CUP CLEARANCE** . . . . . 9.75"

**AGENCY LISTINGS** . . . . .



City of Los Angeles



IN THE U.S.A.  
Ph: 800.238.3600  
Fax: 800.258.0255

OUTSIDE THE U.S.A.  
Ph: 763.488.8200  
Email: webmaster@cornelius.com

101 Broadway Street West  
Osseo, MN 55369  
www.cornelius-usa.com